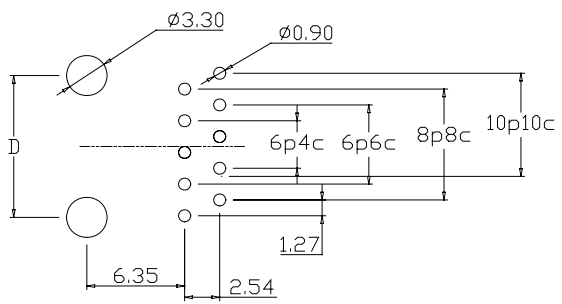
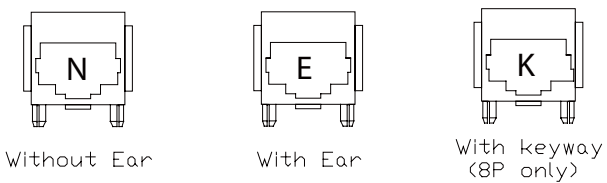
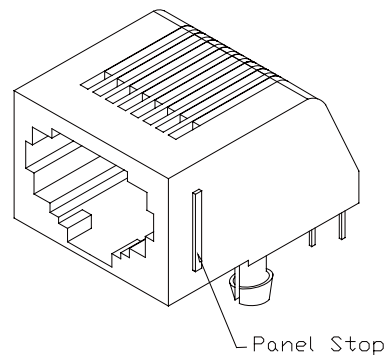
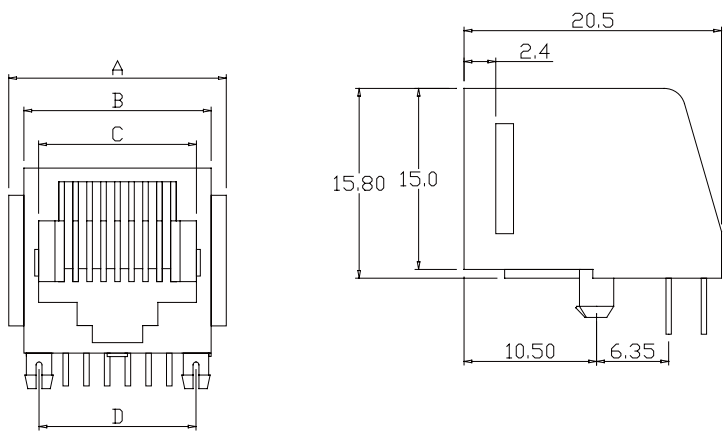


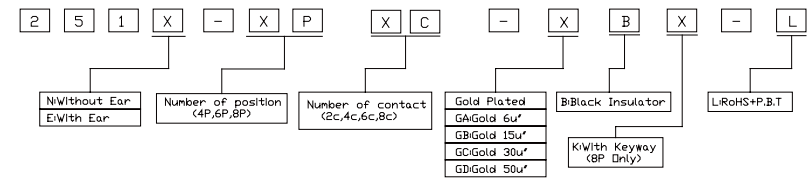
|       |     |                               |           |      |
|-------|-----|-------------------------------|-----------|------|
| BY    | CHK | REVISION RECORD MODIFICATIONS | DATE      | REV. |
| ALLEN |     | RELEASE TO PRODUCTION         | 2007,9,12 | 1.0  |

**MATERIAL & FINISH**  
 HOUSING: Glass Fiber, PBT, UL94V-0, BLACK  
 CONTACT: 0.35mm thickness phosphor bronze,  
 Gold plated over Nickel on contact area,  
 Tin plated over Nickel on solder area.



Recommended PCB Layout  
 (PCB TOLERANCE±0.05)

| POSITION | CONTACT  | A     | B     | C     | D     |
|----------|----------|-------|-------|-------|-------|
| 4P       | 4C       | 13.70 | 11.20 | 7.70  | 7.62  |
| 6P       | 2C/4C/6C | 15.75 | 13.20 | 9.90  | 10.16 |
| 8P       | 8C       | 17.75 | 15.20 | 11.93 | 11.43 |



|       |       |       |          |                 |
|-------|-------|-------|----------|-----------------|
| APPRO | CHECK | DRAWN | PART NO. | 250X-XPXC-XBX-L |
|       |       |       | ITEM NO. |                 |
|       |       |       | DRAW NO. |                 |
|       |       |       | UNIT     | mm SCALE no     |
|       |       |       | TOLER    | NO.             |

|             |  |
|-------------|--|
| DESCRIPTION |  |
|             |  |